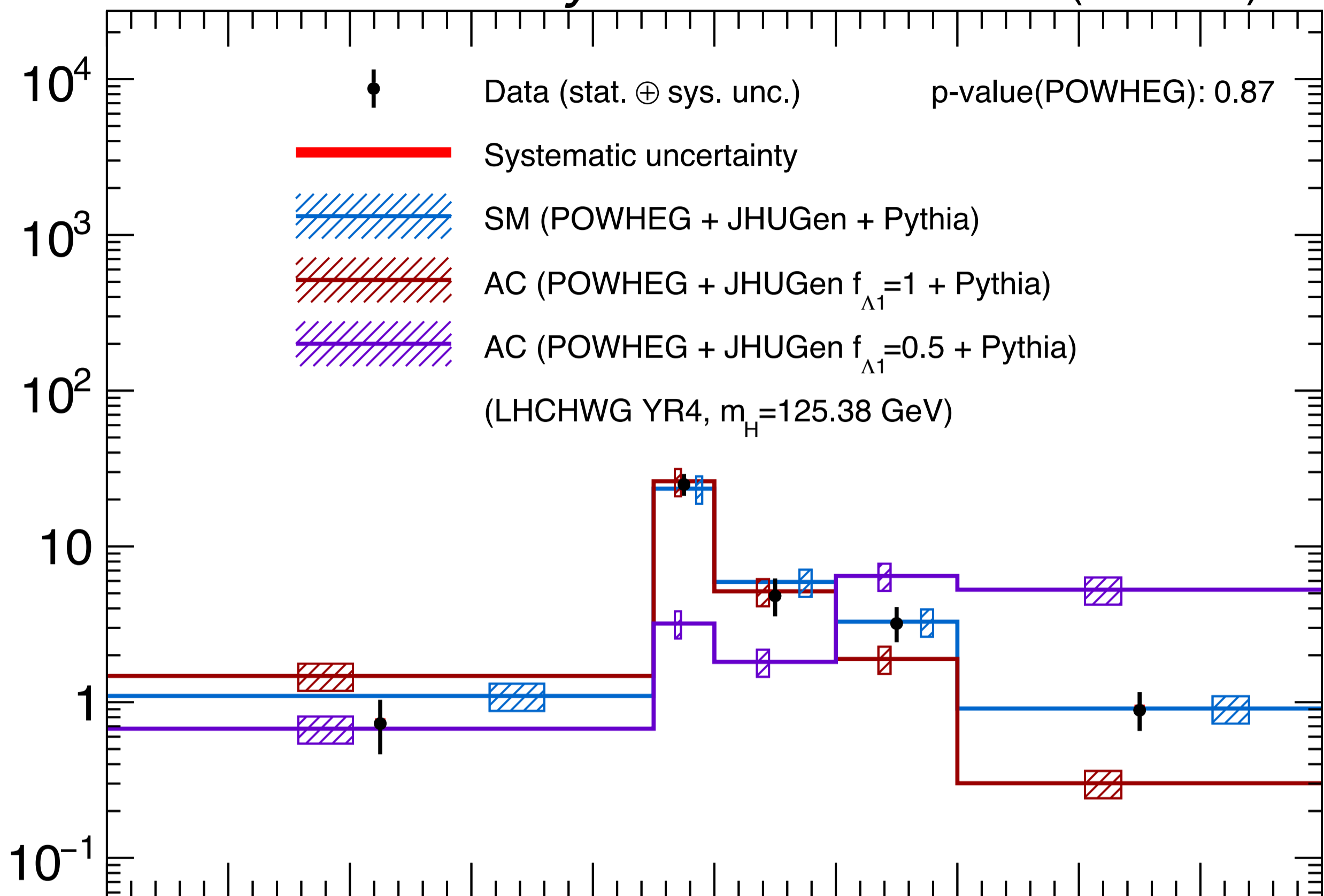


$d\sigma_{\text{fid}}/dD_{\Lambda 1}^{\text{dec}}$  (fb)



Ratio to SM

