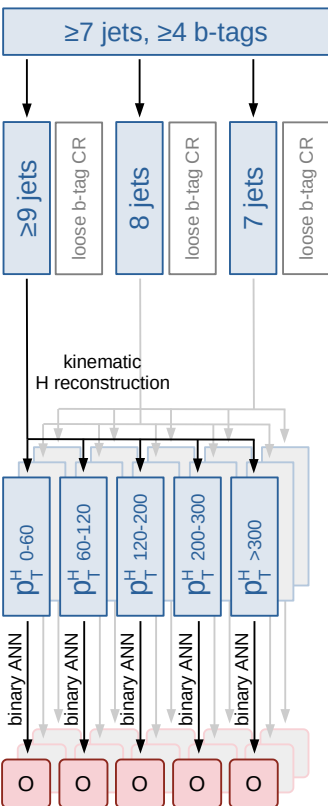
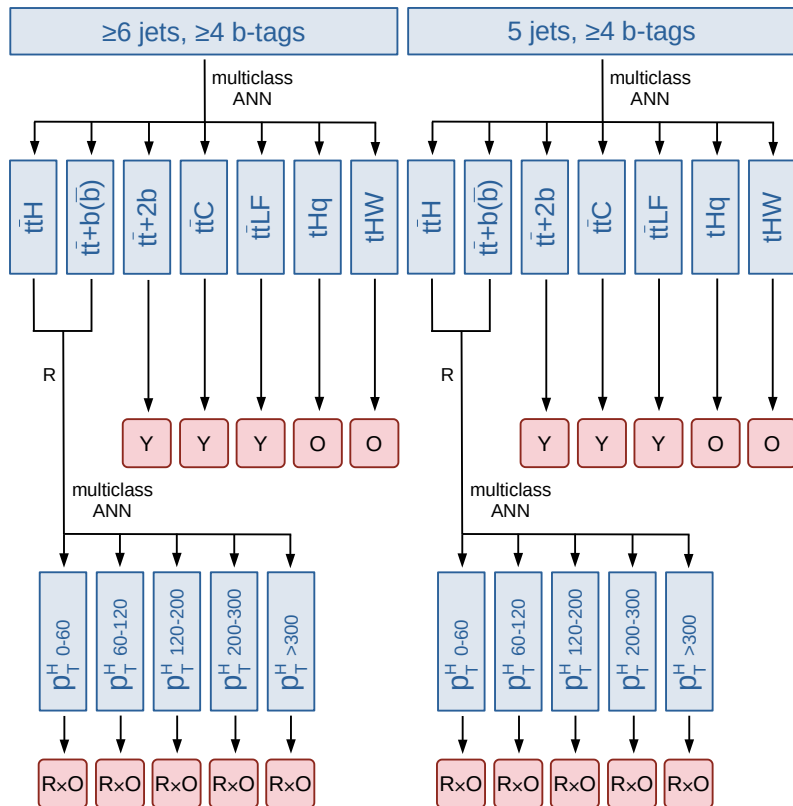


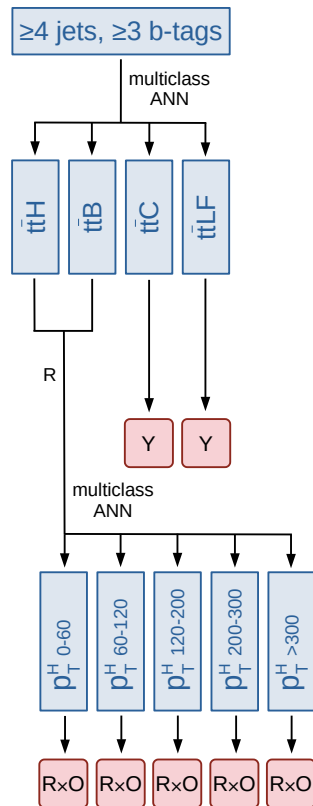
0 leptons



1 lepton



2 leptons



■ Distribution in template fit, event yield (Y), ANN output (O), likelihood ratio of ANN outputs (R)