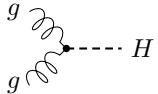
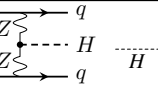
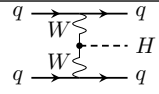
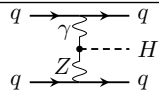

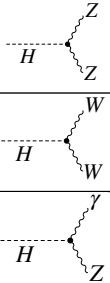



| Class | Operator | Wilson coefficient | Example process | |
|---------------------------------|---|--------------------|---|---|
| $\mathcal{L}_6^{(4)} - X^2 H^2$ | $H^\dagger H G_{\mu\nu}^a G^{a\mu\nu}$ | C_{HG} |  | |
| | $H^\dagger H \tilde{G}_{\mu\nu}^a G^{a\mu\nu}$ | \tilde{C}_{HG} |  | |
| | $H^\dagger H B_{\mu\nu} B^{\mu\nu}$ | C_{HB} |  | |
| | $H^\dagger H \tilde{B}_{\mu\nu} B^{\mu\nu}$ | \tilde{C}_{HB} |  | |
| | $H^\dagger H W_{\mu\nu}^i W^{i\mu\nu}$ | C_{HW} |  | |
| | $H^\dagger H \tilde{W}_{\mu\nu}^i W^{i\mu\nu}$ | \tilde{C}_{HW} | | |
| | $H^\dagger \sigma^i H W_{\mu\nu}^i B^{i\mu\nu}$ | C_{HWB} | | |
| | $H^\dagger \sigma^i H \tilde{W}_{\mu\nu}^i B^{i\mu\nu}$ | \tilde{C}_{HWB} | | |
| | | | |  |
| | | | |  |
| | | | | |
| | | | | |